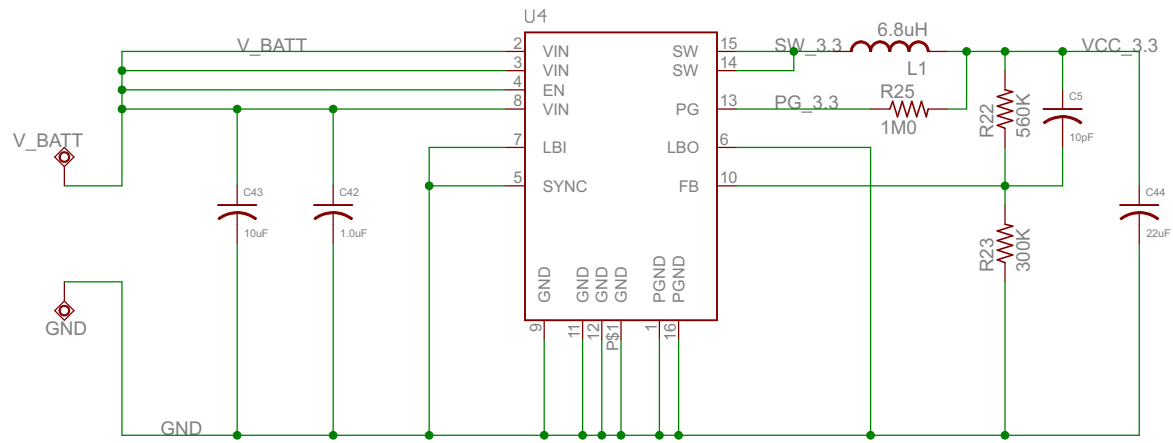
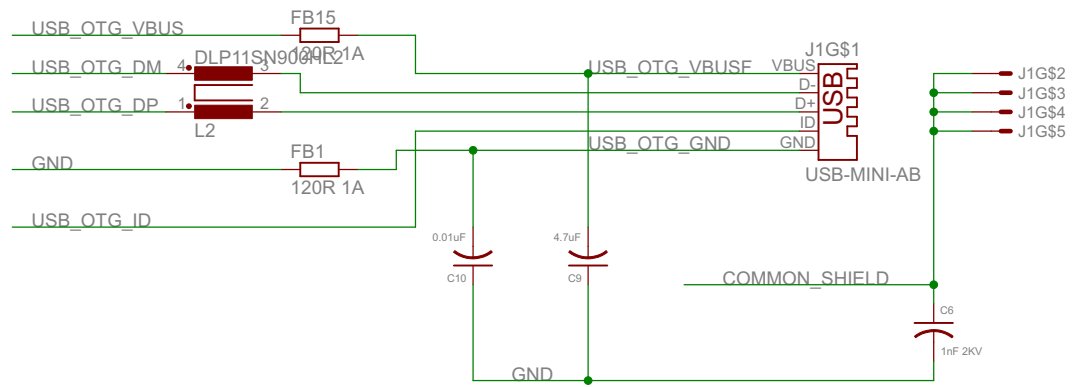
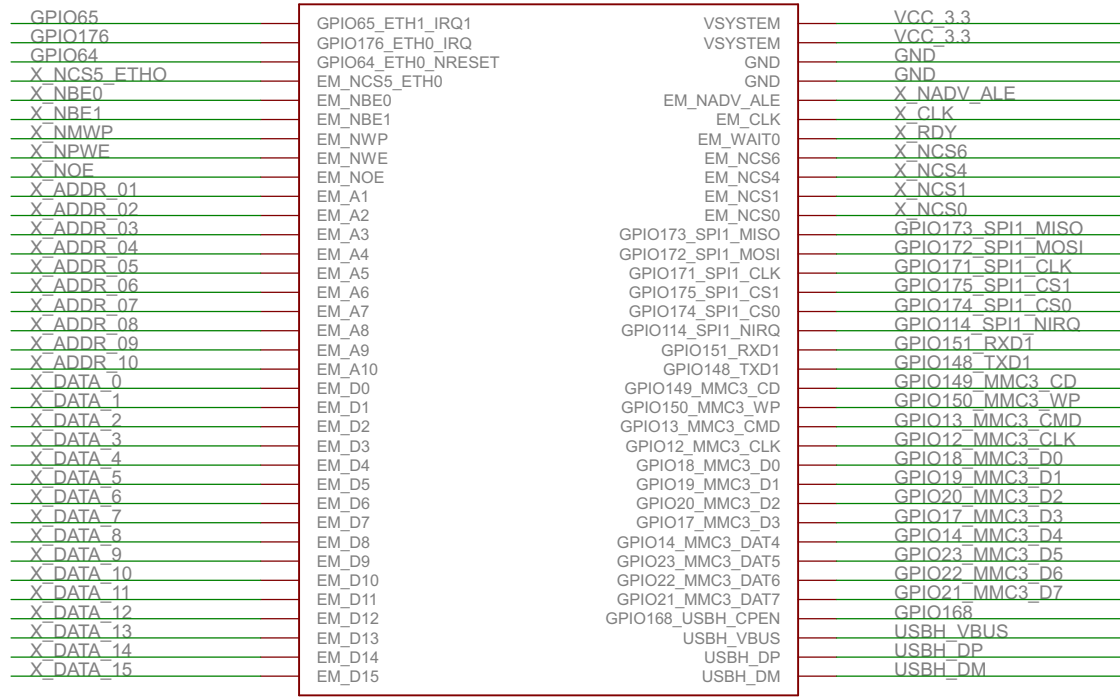
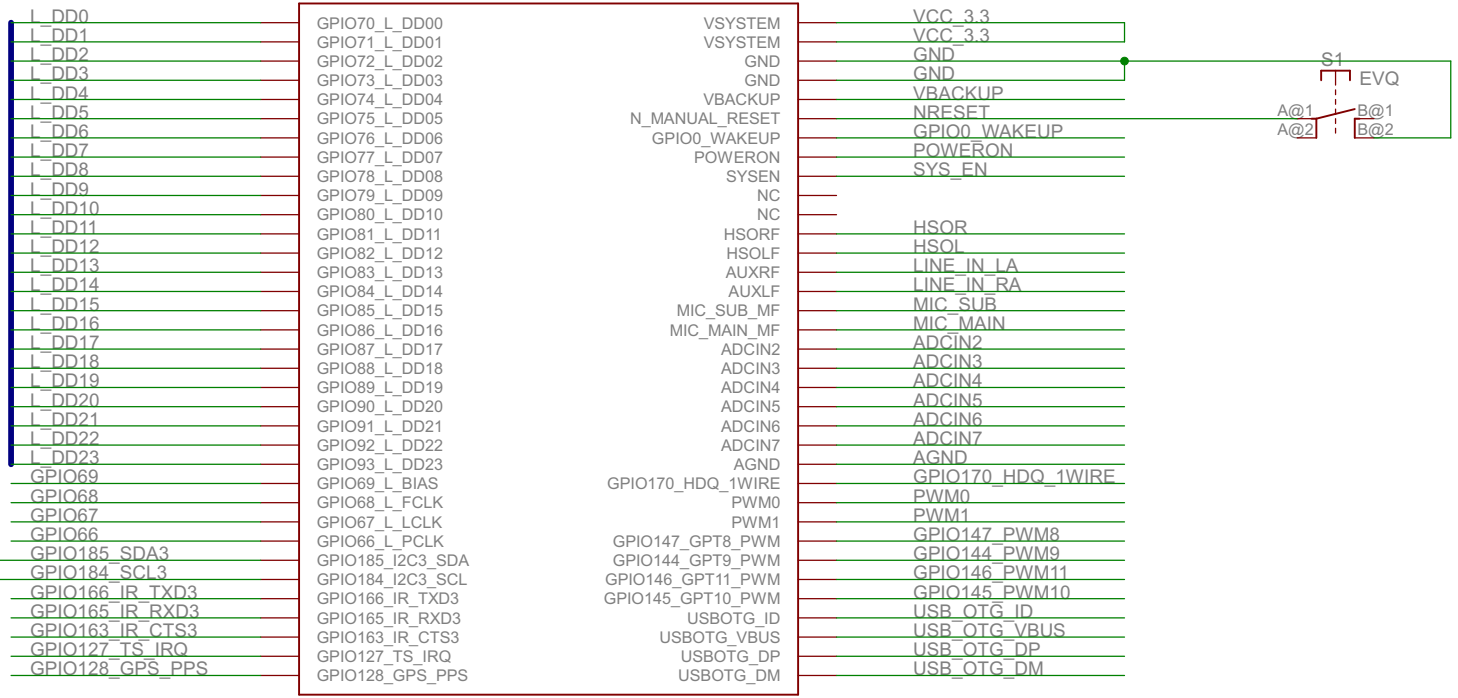
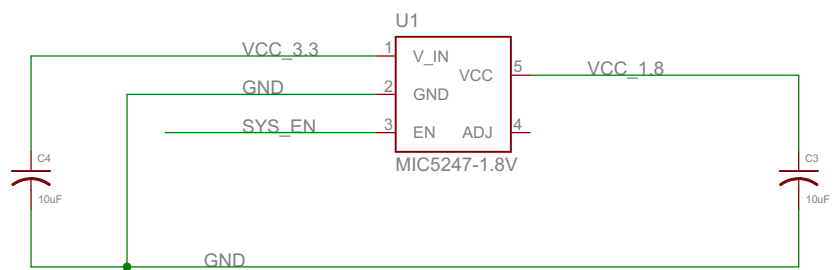


must adjust C43 when larger v\_batt are allowed  
only rated to 5.5V (C43 is a 10V tolerant)





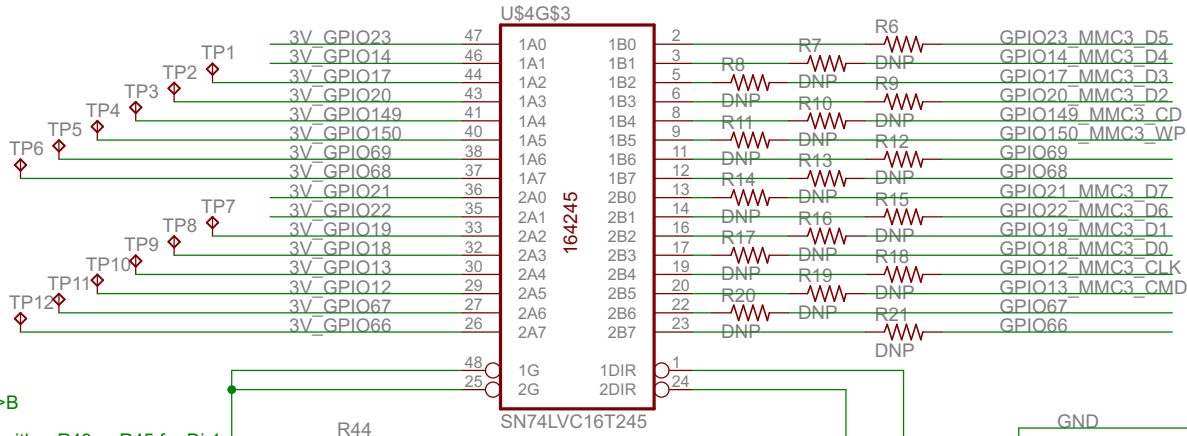




SV1			
GPIO18_MMC3_D0	60	59	GPIO19_MMC3_D1
GPIO20_MMC3_D2	58	57	GPIO17_MMC3_D3
GPIO14_MMC3_D4	56	55	GPIO23_MMC3_D5
GPIO22_MMC3_D6	54	53	GPIO21_MMC3_D7
GPIO12_MMC3_CLK	52	51	GPIO13_MMC3_CMD
GPIO150_MMC3_WP	50	49	GPIO149_MMC3_CD
V_BATT	48	47	ADCIN4
ADCIN3	46	45	AGND
ADCIN5	44	43	ADCIN6
ADCIN2	42	41	ADCIN7
PWM1	40	39	PWM0
GPIO144_PWM9	38	37	GPIO147_PWM8
GPIO145_PWM10	36	35	GPIO146_PWM11
VCC_1.8	34	33	GND
GPIO185_SDA3	32	31	GPIO184_SCL3
GPIO166_IR_TXD3	30	29	GPIO165_IR_RXD3
GPIO163_IR_CTS3	28	27	GPIO170_HDQ_1WIRE
GPIO127_TS_IRQ	26	25	GPIO128_GPS_PPS
VCC_1.8	24	23	GND
POWERON	22	21	GPIO0_WAKEUP
VBACKUP	20	19	SYS_EN
GPIO148_TXD1	18	17	GPIO151_RXD1
GPIO175_SPI1_CS1	16	15	GPIO173_SPI1_MISO
GPIO174_SPI1_CS0	14	13	GPIO172_SPI1_MOSI
GPIO114_SPI1_NIRQ	12	11	GPIO171_SPI1_CLK
VCC_3.3	10	9	GND
GPIO65	8	7	GPIO69
GPIO176	6	5	GPIO68
GPIO64	4	3	GPIO67
GPIO168	2	1	GPIO66

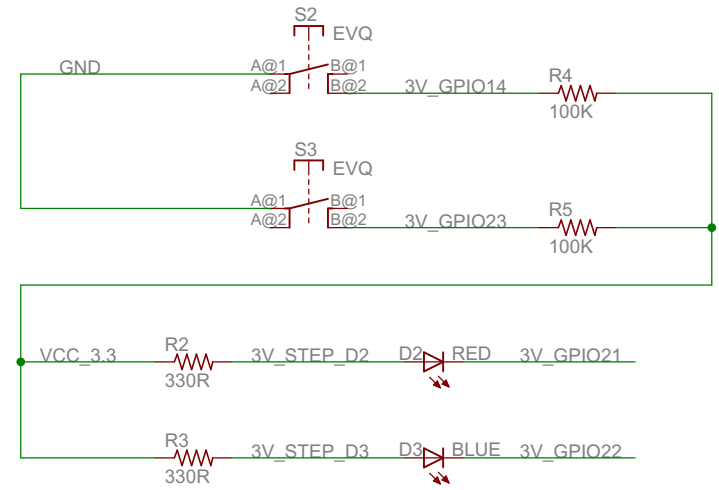
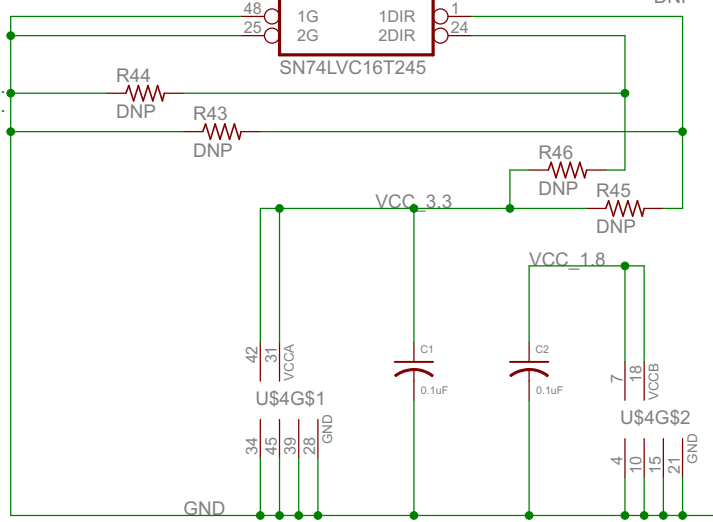
DNP

Supplied by VccA



HI => A->B

Populate either R43 or R45 for Dir1  
Populate either R44 or R46 for Dir2.



### Pads available for soldering components

