

KEYBOARD

Page	Description
1	Connector to MAINBOARD and DISPLAY-BOARD
2	KEY-Matrix and Hook-Switch
3	LED-Matrix
4	switches to disconnect periphery

© Infineon Technologies AG 2006.
All Rights Reserved.

LEGAL DISCLAIMER:

THE INFORMATION GIVEN IN THIS DOCUMENT IS GIVEN FOR ILLUSTRATING PURPOSES ONLY. THE RECIPIENT OF THIS DOCUMENT MUST VERIFY ANY FUNCTION DESCRIBED HEREIN IN THE REAL APPLICATION. INFINEON TECHNOLOGIES HEREBY DISCLAIMS ANY AND ALL WARRANTIES AND LIABILITIES OF ANY KIND (INCLUDING WITHOUT LIMITATION WARRANTIES OF NON-INFRINGEMENT OF INTELLECTUAL PROPERTY RIGHTS OF ANY THIRD PARTY) WITH RESPECT TO ANY AND ALL INFORMATION GIVEN IN THIS DOCUMENT.

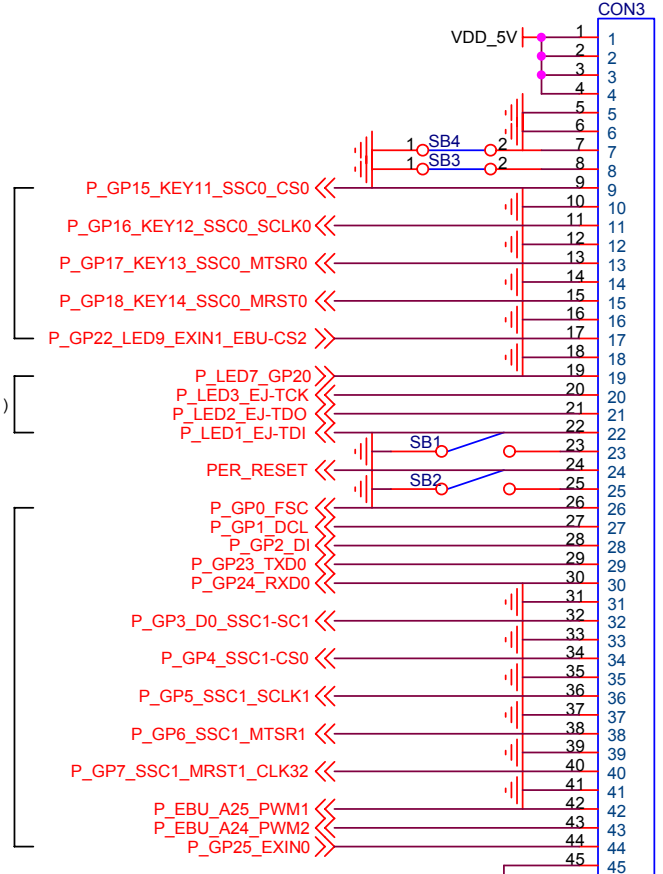
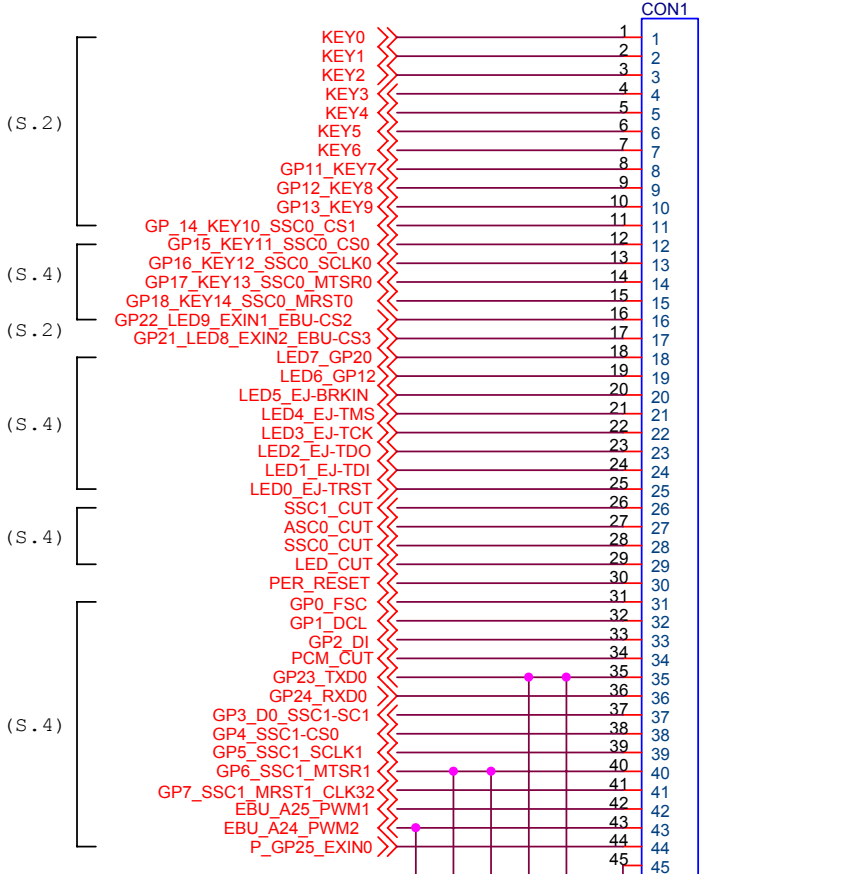
KEYBOARD

Title		
INCA-IP2 Reference system		
Size	Document Number	Rev
A	release 1.0	1.1
Date:	Tuesday, October 17, 2006	Sheet 0 of 15

KEYBOARD

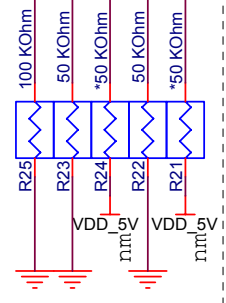
MAINBOARD_Connector

DISPLAY-BOARD_Connector



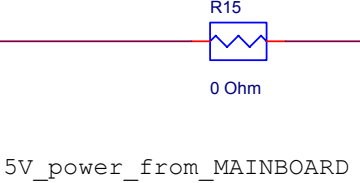
This resistors are for board identification.

With the initial level on EBU_A24_PWM2, GP6_SSC1_MTSR1 and GP23_TXD0 the software can detect boardversion.



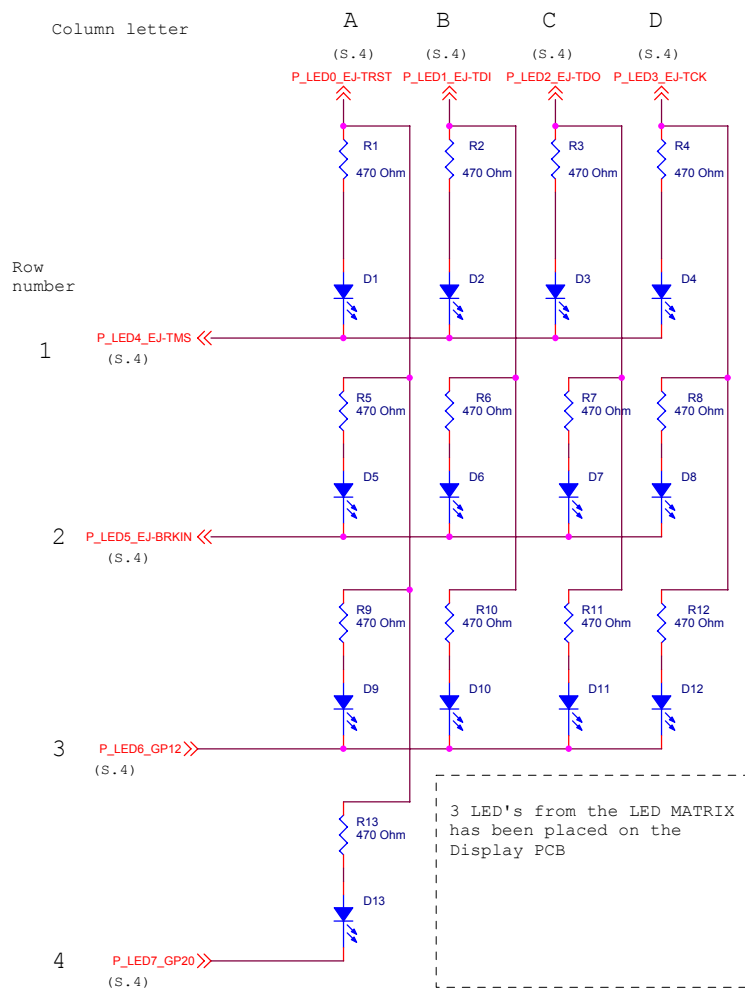
FH12-45S-0.5SV
FH12S-45S05SH (55) is used default now

FH12-45S-0.5SV
FH12S-45S05SH (55) is used default now

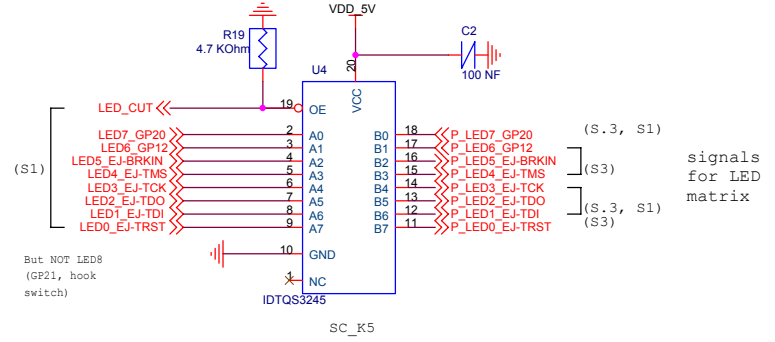
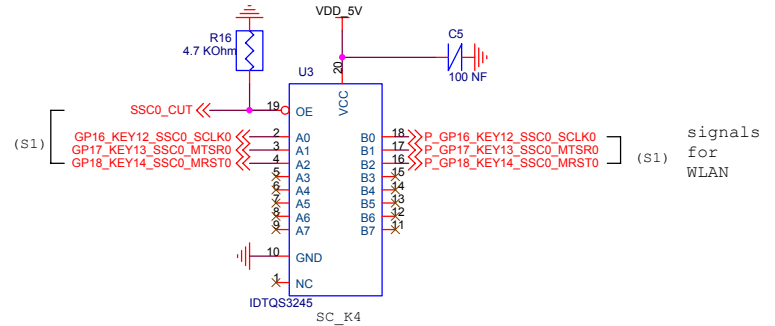
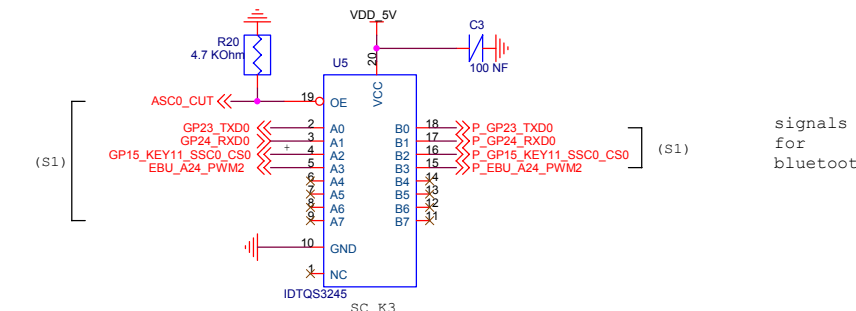
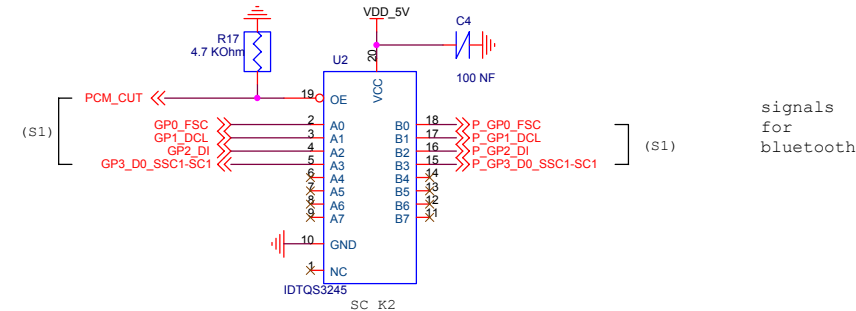
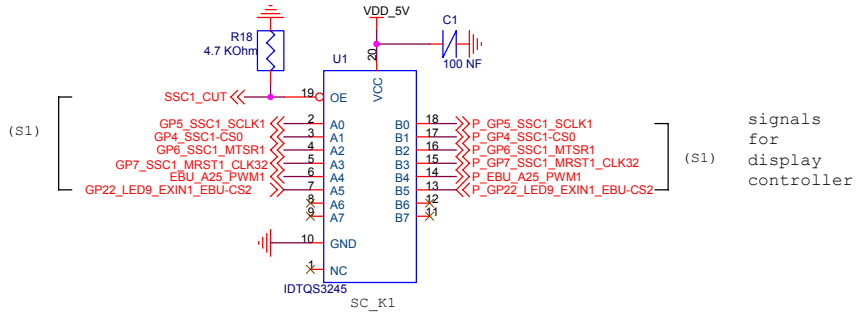


KEYBOARD

Title		
INCA-IP2 Reference system, Keyboard pcb, Connectors		
Size	Document Number	Rev
A4	release 1.0	V1.1
Date:	Tuesday, October 17, 2006	Sheet 1 of 4



Title			INCA-IP2 Reference system, Keyboard pcb, Led matrix		
Size	Document Number	Rev			
A3	release 1.0	V1.1			
Date:	Tuesday, October 17, 2006	Sheet	3	of	4



Title		
INCA-IP2 Reference system, Keyboard pcb, Quick Switch		
Size	Document Number	Rev
A3	release 1.0	V1.1
Date:	Tuesday, October 17, 2006	Sheet 4 of 4